

## RI-CTS058 Series



### Single Phase Split Core Current Transformers

- From 250A to 1000A Primary currents
- 5A or 1A Secondary output
- 115mm width
- 50.1 x 80mm aperture

50.1 x 80mm

#### Product Description

The RI-CTS058 Series forms part of a large family of split core single phase moulded case current transformers from Rayleigh Instruments.

These transformers are suitable for monitoring current flow in commercial, industrial or utility applications. They are designed to connect any standard metering or relay product requiring a 5A or 1A output and are available with Primary current input ranges from 250A to 1000A.

The RI-CTS058 Series have been designed for ease of installation into existing plants where removal of busbars or cable lugs is impractical. They also have clear markings moulded into the case to indicate the correct direction of primary current flow to minimise installation errors.

#### Parameters

Primary Current A	Burden			Order Code
	Class 0.5 VA	Class 1 VA	Class 3 VA	
250	1	2	4	0250
300	1.5	3	6	0300
400	1.5	3	10	0400
500	2.5	5	15	0500
600	2.5	5	15	0600
750	3	6	20	0750
800	3	7.5	20	0800
1000	3	10	20	1000

Available with 5A or 1A Secondary

### Rated Standard

Rated Primary Current ( $I_{pr}$ )	250...1000A
Frequency Range ( $f_R$ )	47...63Hz
Rated continuous over current ( $I_{cth}$ )	1.2 x rated current
Rated short time thermal current ( $I_{th}$ )	$\leq 60 \times I_{pr}$
Rated dynamic current ( $I_{dyn}$ )	2.5 $I_{th}$
Instrument security factor (FS)	$\leq 5$
Rated Secondary output	5A or 1A
Accuracy class	Class 1 to IEC/EN61869-2

### Insulation

Insulation type	Dry transformer, air insulation
Highest voltage ( $U_m$ )	0.72kV r.m.s.
Rated insulation level	3kV r.m.s. 50Hz/1 min

### Environmental Conditions

Reference temperature	23°C $\pm$ 1°C
Nominal temperature range	-10°C...50°C
Limit temperature range for storage	-40°C...85°C
Relative humidity	$\leq 85\%$ non condensing
Altitude	$\leq 1000$ meters

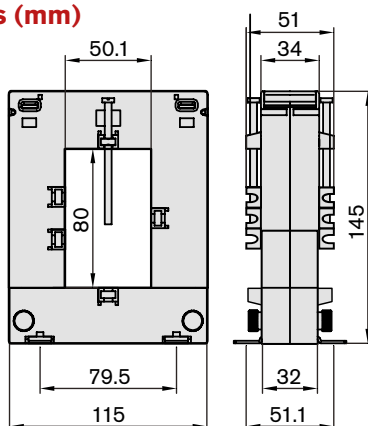
### Housing

Housing material	Fire resistant UL94-V0
Protection degree (IEC/EN60529)	IP40 housing, Terminals IP20
Mounting	Thumb Screw closure, foot mounting
Weight	$\geq 900g$

### Connections

Primary winding	Passing cable
Secondary Connections	M4 Screws

### Dimensions (mm)



### Information Required with Order

Build your order number - example	RI-CTS058	5A	0800
Model			
Secondary Current - 5A or 1A			
Primary Current Range - See Parameters Table 'Order Code'			