



Energy Division

New Miniature Moulded Case Current Transformers

New Crompton Instruments miniature measuring current transformer M53Q range offers primary currents between 50A-300A with the additional benefit of installation into areas of limited space where conventionally mounted current transformers would be unsuitable.

Specifications

System voltage	720V maximum
Test voltage	3kV for 1 minute
System frequency	50Hz or 60Hz
Primary ratings	50A to 300A
Short circuit thermal current	60 x rated primary current (Ith): for 1 sec
Overload withstand	1.2 x rated current continuously
Rated dynamic current	= 2.55 x Ith
Saturation coefficient	<5 for plain ring, <10 for wound primary
Insulation class	BS2757 IEC85 Class E (120 °C Max)
Secondary terminals	M3 screw clamps
Service temperature	-20°C to +85°C
Humidity	up to 95% RH (non-condensing)
Enclosure	Flame retardant grade classified UL 94V-0 glass filled polycarbonate
Compliant with	IEC/EN 60044-1
Mounting hardware	Plug in metal feet for wall or base mounting, Busbar mounting or optional DIN-rail clips for DIN-rail mounting

Features

- Cost effective moulded case measuring current transformers
- Ratio ratings from 50/5 to 300/5
- Comprehensive measurement of class accuracy
- Wire sealable terminal covers
- Busbar or DIN-rail or steel feet mounting hardware

Benefits

- Reduction of high currents for ease of metering
- Accuracy up to class 1
- Isolated output for safety
- Long product life

Applications

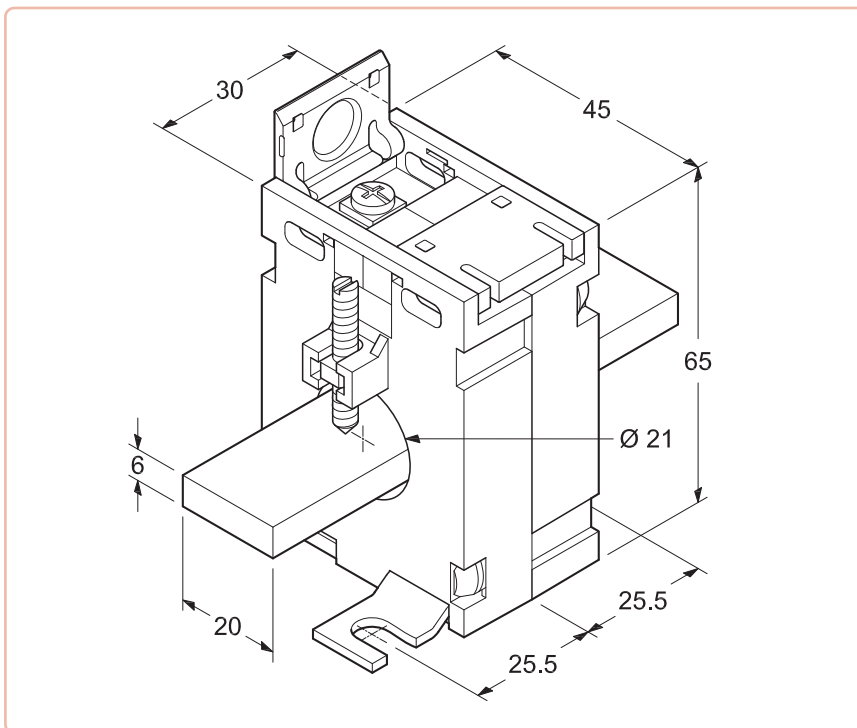
- Switchgear
- Distribution systems
- Generator sets
- Control panels
- Overload protection
- Control devices

Accuracy Class

Primary Amps	VA at class 3	VA at class 1	Part number
50/5	1	-	M53Q-50/5A
60/5	1.25	-	M53Q-60/5A
75/5	1.5	-	M53Q-75/5A
80/5	1.5	-	M53Q-80/5A
100/5	2.5	1.5	M53Q-100/5A
125/5	3	2.5	M53Q-125/5A
150/5	3.75	2.5	M53Q-150/5A
200/5	5	3.75	M53Q-200/5A
250/5	-	5	M53Q-250/5A
300/5	7.5	5	M53Q-300/5



Dimensions



All of the above information, including drawings, illustrations and graphic designs, reflects our present understanding and is to the best of our knowledge and belief correct and reliable. Users, however, should independently evaluate the suitability of each product for the desired application. Under no circumstances does this constitute an assurance of any particular quality or performance. Such an assurance is only provided in the context of our product specifications or explicit contractual arrangements. Our liability for these products is set forth in our standard terms and conditions of sale. TE logo and Tyco Electronics are trademarks. Crompton is a trademark of Crompton Parkinson Ltd and is used by Tyco Electronics under licence.

Energy Products - economical solutions for the electrical power industry: cable accessories, connectors & fittings, electrical equipment, instruments, lighting controls, insulators & insulation enhancement and surge arresters.

Tyco Electronics UK Ltd
 Energy Division
 Freebournes Road
 Witham, Essex CM8 3AH

Phone: +44 (0)870 870 7500
 Fax: +44 (0)870 240 5287
 E-mail: electrical@tycoelectronics.com

www.crompton-instruments.com
<http://energy.tycoelectronics.com>

 **Tyco Electronics**
 Our commitment. Your advantage.