

Woltman Water Meter

- Cold (30°C) - WRAS Approved and MID R80 as per 2004/22/EC
- Hot (90°C) - ISO4064 Class B
- Dry dial
- Available with pulse output
- Suitable up to 16 Bar working pressure



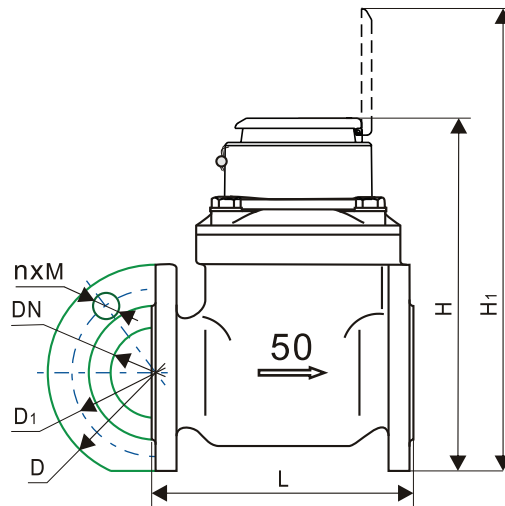
WRAS
APPROVED
PRODUCT

Technical Data

Dimensions

Diameter	DN	50	65	80	100	125	150	200	250	300	
Length	mm	L	200	200	225	250	250	300	350	450	500
Height	mm	H	252	262	272	282	282	341	371	480	516
Working Height	mm	H1	339	349	359	369	384	428	458	576	603
Outside Diameter	mm	D	165	185	200	220	250	285	340	405	460
Circle Diameter	mm	D1	125	145	160	180	219	240	295	355	410
Bolt Quantity	nxM		4xM16	4xM16	8xM16	8xM16	8xM16	8xM20	12xM20	12xM24	12xM24
Weight	kg		12	13	16	18	20	42	64	94	114

Dimensional Drawing



Flow Data

Diameter	DN	50	65	80	100	125	150	200	250	300
Minimum Flowrate Q_{min}	m ³ /h	0.45	0.75	1.2	1.8	3	4.5	7.5	12	18
Transitional Flowrate Q_t	m ³ /h	3	5	8	12	20	30	50	80	120
Nominal Flowrate Q_n	m ³ /h	15	25	40	60	100	150	250	400	600
Maximum Flowrate Q_{max}	m ³ /h	30	50	80	120	200	300	500	800	1200

Pulse Output

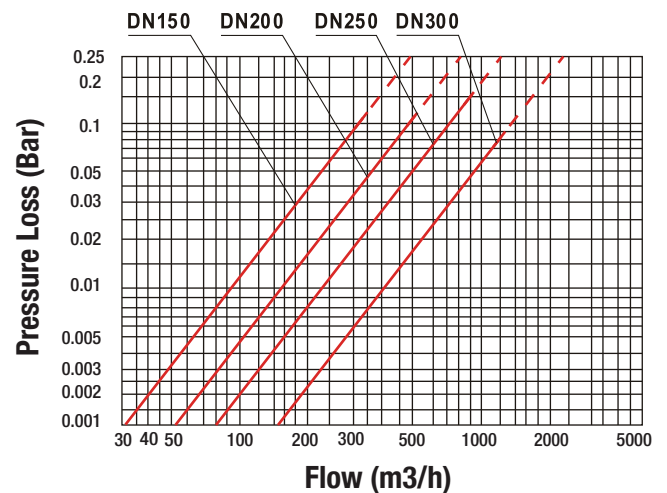
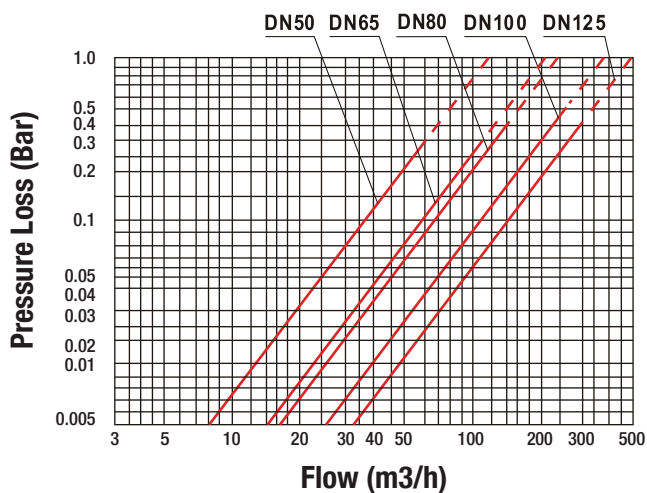
Diameter	DN	50	65	80	100	125	150	200	250	300
Standard value	L	100	100	100	100	100	1000	1000	10,000	10,000
Optional value	L	1000	1000	1000	1000	1000	10,000	10,000	100,000	100,000

Installation Guidelines

The meter can be installed horizontally or vertically.

The meter must have 10 diameters of straight pipe before and 5 diameters of straight pipe after the meter to allow for a proper flow of water.

Pressure Loss Diagram



Accuracy Curve

