

RI-CTS024 Series

Single Phase Mini Split Core Current Transformers



- From 100A to 300A Primary currents
- 5A or 1A Secondary output
- 50mm width
- 24mm cable aperture
- Integral 1 metre cable
- Snap together housing
- Compact design
- Indication of primary current flow (arrow on case body)

Ø 24mm

Product Description

The RI-CTS024 Series forms part of a large family of split core single phase moulded case current transformers from Rayleigh Instruments.

These transformers are suitable for monitoring current flow in commercial, industrial or utility applications. They are designed to connect any standard metering or relay product requiring a 5A or 1A output and are available with Primary current input ranges from 100A to 300A.

The RI-CTS024 Series have been designed for ease of installation into existing plants where removal of busbars or cable lugs is impractical. They also have clear markings moulded into the case to indicate the correct direction of primary current flow to minimise installation errors.

Parameters

Primary Current A	Burden			Order Code
	Class 0.5 VA	Class 1 VA	Class 3 VA	
100	-	1.5	-	0100
160	-	1.5	-	0160
200	-	1.5	-	0200
250	-	1.5	-	0250
300	-	1.5	-	0300

Available with 5A or 1A Secondary

Rated Standard

Rated Primary Current (I_{pr})	100...300A
Frequency Range (f_R)	47...63Hz
Rated continuous over current (I_{cth})	1.2 x rated current
Rated short time thermal current (I_{th})	$\leq 60 \times I_{pr}$
Rated dynamic current (I_{dyn})	2.5 I_{th}
Instrument security factor (FS)	≤ 5
Rated Secondary output	5A or 1A
Accuracy class	Class 1 to IEC/EN61869-2

Insulation

Insulation type	Dry transformer, air insulation
Highest voltage (U_m)	0.72kV r.m.s.
Rated insulation level	3kV r.m.s. 50Hz/1 min

Environmental Conditions

Reference temperature	23°C \pm 1°C
Nominal temperature range	-5°C...40°C
Limit temperature range for storage	-40°C...85°C
Relative humidity	$\leq 85\%$ non condensing
Altitude	≤ 1000 meters

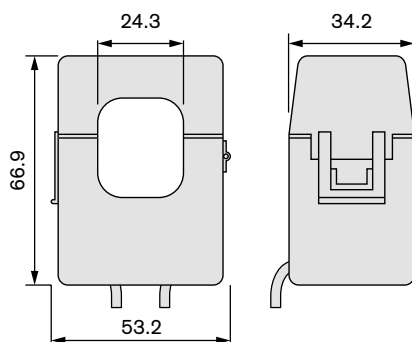
Housing

Housing material	Fire resistant UL94-V0
Protection degree (IEC/EN60529)	IP40 housing, Terminals IP20
Mounting	Snap together housing
Weight	≥ 250 g

Connections

Primary winding	Passing cable
Secondary winding	Integral 1 metre cable (other cable lengths available on request - see table below)
Secondary Connections	Red - S1 (K) / Black - S2 (L)

Dimensions (mm)



Information Required with Order

Build your order number - example	RI-CTS024 5A 0300 G 01
Model	
Secondary Current - 5A or 1A	
Primary Current Range - See Parameters Table 'Order Code'	
Housing Colour : G = Grey	
Cable Length : 01 = 1 meter (standard). 03 = 3, 07 = 7 and 10 = 10 meter (to order only).	