

## RI-CT050 Series



### Single Phase Moulded Case Current Transformers

- From 40A to 300A Primary currents
- 5A or 1A Secondary output
- 44mm width
- 21mm cable aperture
- Sealable terminal cover
- Supplied with DIN Rail mounting clip and mounting feet
- Compact design
- Indication of primary current flow (arrows on case body)

Ø 21mm

#### Product Description

The RI-CT050 Series forms part of a large family of solid core single phase moulded case current transformers from Rayleigh Instruments.

These transformers are suitable for monitoring current flow in commercial, industrial or utility applications. They are designed to connect any standard metering or relay product requiring a 5A or 1A output and are available with Primary current input ranges from 40A to 300A.

The RI-CT050 Series have been designed for ease of installation and are supplied with both DIN rail clip and fixing feet. They also have clear markings moulded into the case to indicate the correct direction of primary current flow to minimise installation errors.

#### Parameters

Primary Current A	Burden			Order Code
	Class 0.5 VA	Class 1 VA	Class 3 VA	
40	-	-	1	0040
50	-	1	1.5	0050
60	-	1.25	2	0060
75	-	1.5	2.5	0075
80	-	2	2.5	0080
100	1.5	2.5	3	0100
125	2.5	3.5	4	0125
160	3	4	5	0160
200	4	5	6	0200
250	4	5	6	0250
300	4	5	6	0300

Available with 5A or 1A Secondary

### Rated Standard

Rated Primary Current ( $I_{pr}$ )	40...300A
Frequency Range ( $f_R$ )	47...63Hz
Rated continuous over current	1.2 x rated current
Rated short time thermal current ( $I_{th}$ )	$<60 I_n$
Rated dynamic current ( $I_{dyn}$ )	2.5 $I_{th}$
Instrument security factor (FS)	$\leq 5$
Rated Secondary output ( $V_{st}$ )	5A or 1A
Accuracy class	Class 0.5, 1 and 3 to IEC/EN61869-2

### Insulation

Insulation type	Dry transformer, air insulation
Highest voltage $U_m$	0.72kV r.m.s.
Rated insulation level	3kV r.m.s. 50Hz/1 min

### Environmental Conditions

Reference temperature	23°C $\pm 1^\circ\text{C}$
Nominal temperature range	-25°C...50°C
Daily mean temperature	$\leq 30^\circ\text{C}$
Limit temperature range for storage	-40°C...85°C
Relative humidity	$\leq 85\%$ non condensing

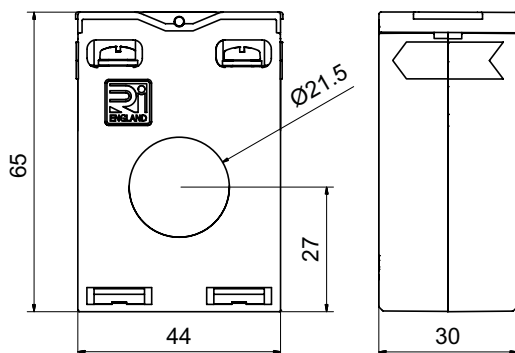
### Housing

Housing material	Self extinguishing polycarbonate
Protection degree (IEC/EN60529)	IP40 housing, Terminals IP20
Mounting	Foot mounting, or snap on 35mm DIN rail mounting
Weight	$\leq 200\text{g}$

### Connections

Primary winding	Passing cable
Secondary winding	Screw clamp connection - 6mm <sup>2</sup> Max.

### Dimensions (mm)



### Accessories

The RI-CT050 series of current transformers come supplied with fixing feet and a robust DIN rail mounting clip.



### Information Required with Order

Build your order number - example	RI-CT050 5A 0300
Model	
Secondary Current	
Primary Current Range - See Parameters Table 'Order Code'	